

# HEAVY-DUTY LOCKS

## PUSH-TO-CLOSE LOCK

**316**

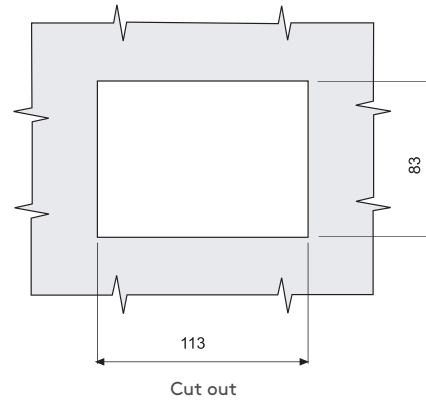
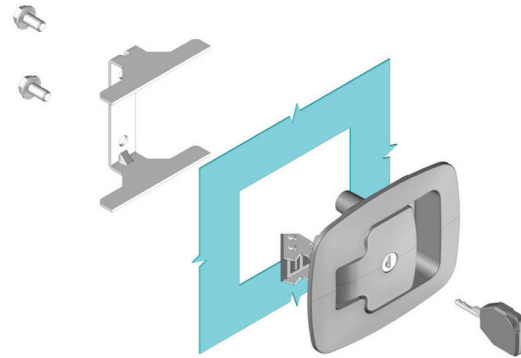
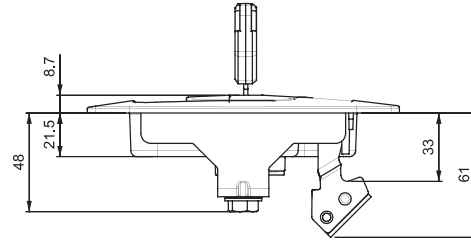
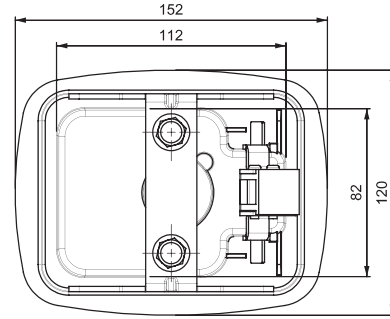
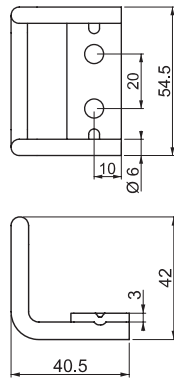


- IP 54
- 
- RoHS
- 

- Slam shut operation. Steel cam.
- Striking plate is needed
- Lock can be opened from inside by moving cam.

### MATERIAL

BODY: Polyamid DIN-EN ISO 1043-1 PA6 GFR 30  
CAM: Steel



## CAM STRIKING PLATE

**016 A71**



- Striking plate
- Custom sizes available

### MATERIAL

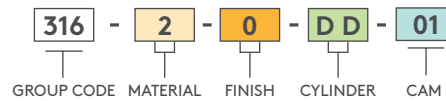
Steel

### FINISH

Zinc plated

**!** Note: The listing of this/these product(s) in the catalogue does not constitute an offer to sell any of those products in the UK and USA

### PRODUCT CODE



### SPECIFICATIONS

Stainless steel dust cap (Keyed alike)	DD
	03