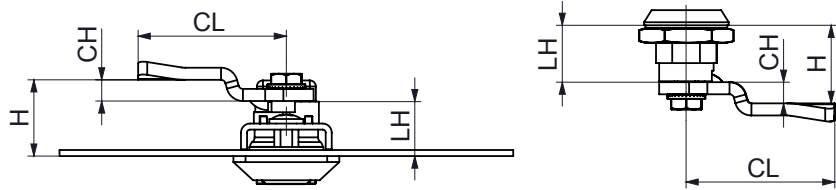


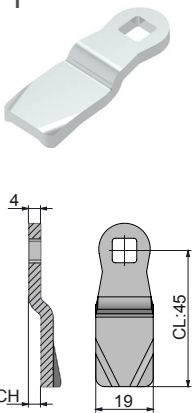
CAMS WITHOUT STOPPERS

H: Grip
 LH: Height of housing
 CL: Cam length
 CH: Cam height



MATERIAL: Steel
 FINISH: Zinc plated
 THICKNESS: 4 mm

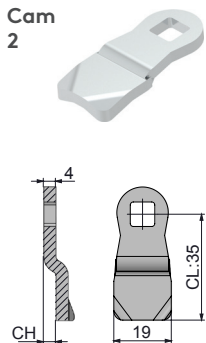
Cam 1



STOCK CODE	CC	CH	CL	LH:14 H	LH:18.5 H	LH:19 H	LH : 20 H	LH : 22 H	LH : 25 H	LH : 32 H
30403117Y	30	0	45	14	18.5	19	20	22	25	32
30403557Y	17	1	45	15	19.5	20	21	23	26	33
30403581Y	35	2	45	16	20.5	21	22	24	27	34
30403054Y	31	3	45	17	21.5	22	23	25	28	35
30403197Y	33	4	45	18	22.5	23	24	26	29	36
30403128Y	34	6	45	20	24.5	25	26	28	31	38
30403583Y	36	8	45	22	26.5	27	28	30	33	40
30403584Y	47	10	45	24	28.5	29	30	32	35	42
30403123Y	44	12	45	26	30.5	31	32	34	37	44
30403422Y	48	14	45	28	32.5	33	34	36	39	46
30403410Y	49	16	45	30	34.5	35	36	38	41	48
30403429Y	55	18	45	32	36.5	37	38	40	43	50
30403585Y	56	20	45	34	38.5	39	40	42	45	52
30403586Y	57	22	45	36	40.5	41	42	44	47	54
30403411Y	58	24	45	38	42.5	43	44	46	49	56
30403425Y	37	- 2	45	12	16.5	17	18	20	23	30
30403198Y	38	- 4	45	10	14.5	15	16	18	21	28
30403423Y	39	- 6	45	8	12.5	13	14	16	19	26
30403412Y	59	- 8	45	6	10.5	11	12	14	17	24
30403552Y	60	- 10	45	4	8.5	9	10	12	15	22
30403587Y	61	- 12	45	2	6.5	7	8	10	13	20
30403420Y	62	- 14	45	0	4.5	5	6	8	11	18

MATERIAL: Steel
 FINISH: Zinc plated
 THICKNESS: 4 mm

Cam 2

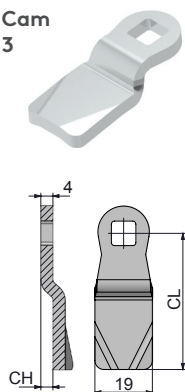


STOCK CODE	CC	CH	CL	LH:14 H	LH:18.5 H	LH : 19 H	LH : 20 H	LH : 22 H	LH : 25 H	LH : 32 H
30403069Y	11	-2	35	12	16.5	18	18	20	23	30
30403444Y	12	0	35	14	18.5	20	20	22	25	32
30403519Y	13	2	35	16	20.5	22	22	24	27	34
30403588Y	14	4	35	18	22.5	24	24	26	29	36
30403477Y	15	6	35	20	24.5	26	26	28	31	38
30403589Y	16	7	35	21	25.5	27	27	29	32	39
30403407Y	23	10	35	24	28.5	30	30	32	35	42
30403075Y	52	26	35	40	44.5	46	36	48	51	58

CAMS WITHOUT STOPPERS

MATERIAL: Steel
FINISH: Zinc plated
THICKNESS: 4 mm

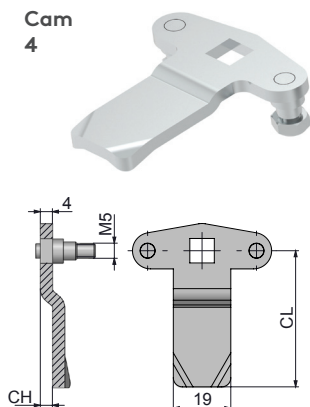
Cam 3



STOCK CODE	CC	CH	CL	LH:14 H	LH:18.5 H	LH:19 H	LH : 20 H	LH : 22 H	LH : 25 H	LH : 32 H
30403006Y	10	0	29	14	18.5	19	20	22	25	32
30403130Y	20	0	38	14	18.5	19	20	22	25	32
30403117Y	30	0	45	14	18.5	19	20	22	25	32
30403003Y	40	0	51	14	18.5	19	20	22	25	32
30403005Y	70	0	66	14	18.5	19	20	22	25	32
30403064Y	21	3	38	17	21.5	22	23	25	28	35
30403054Y	31	3	45	17	21.5	22	23	25	28	35
30403141Y	41	3	51	17	21.5	22	23	25	28	35
30403138Y	22	6	37	20	24.5	25	26	28	31	38
30403128Y	34	6	45	20	24.5	25	26	28	31	38
30403073Y	32	7	44	21	25.5	26	27	29	32	39
30403002Y	42	7	49	21	25.5	26	27	29	32	39
30403004Y	43	10	48	24	28.5	29	30	32	35	42
30403123Y	44	12	45	26	30.5	31	32	34	37	44

MATERIAL: Steel
FINISH: Zinc plated
THICKNESS: 4 mm

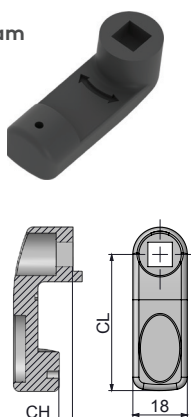
Cam 4



STOCK CODE	CC	CH	CL	LH:18.5 H
30403135Y	03	0	51	18.5
30403523Y	06	0	45	18.5
30403001Y	01	7	49	25.5
30403525Y	07	2	45	20.5
30403527Y	08	3	45	21.5
30403529Y	09	4	45	22.5
30403531Y	100	5	45	23.5
30403533Y	101	6	45	24.5
30403535Y	102	7	45	25.5
30403068Y	02	12	46	30.5
30403537Y	103	14	45	32.5

MATERIAL: Plastic

Cam 5



STOCK CODE	CC	CH	CL	LH:18.5 H	LH: 20 H	LH: 25 H
30402002Y	90	0	35	18.5	20	25
30402010Y	93	0	25	18.5	20	25
30402007Y	92	4	45	22.5	24	29
30402003Y	91	6	35	24.5	26	31
30402014Y	94	-4	45	14.5	16	21