

STAINLESS STEEL PRODUCTS

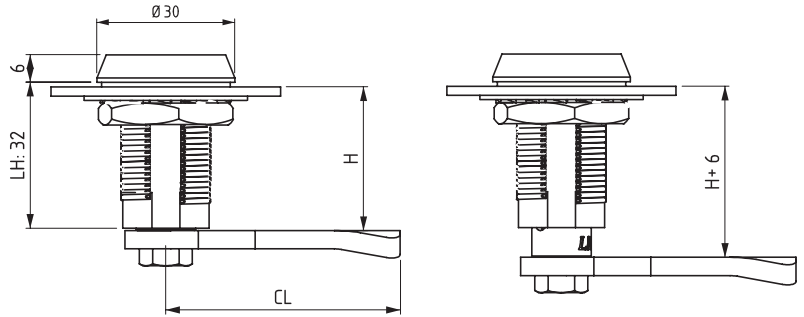
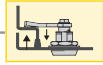
COMPRESSION LOCK

040



RoHS

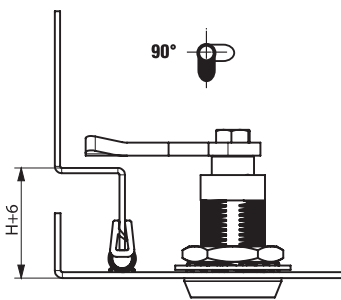
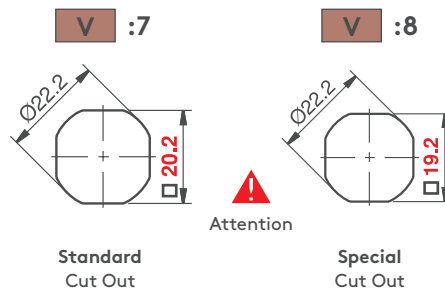
IP 65



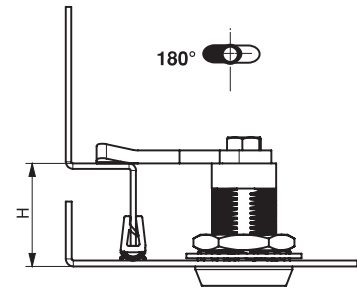
- Used for cabinets that require better sealing under vibrating conditions
- Provides 6 mm of compression
- Provides noise isolation
- Different drivers/cams available
- Standard cams without stopper required for these locks
- The lock has been tested according to the DIN EN 61373 Category 1-B for vibration and shock.
- Working Temperature Range: -50/+80 C
- M22 Nut : should be fixed with 60 Nm
- M10 Nut: should be fixed with 10 Nm
- Threadlocker is applied to the nut threads to get extra fastness against vibration and shock
- Max load capacity: 562 N

MATERIAL

HOUSING: Stainless Steel (AISI 316)
 DRIVER: Stainless Steel (AISI 316)
 CAM: Stainless Steel (AISI 304)
 NUT: Stainless Steel (AISI 304)



The first 90° of key rotation turns the cam to locking position

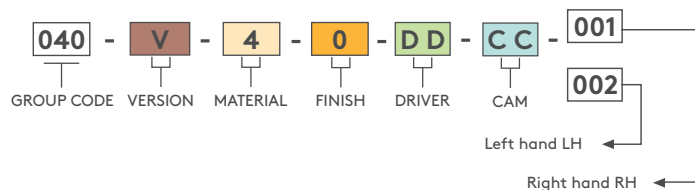


Further key rotation 180° applies 6mm compression

DRIVERS

3 mm Double bit DD 13	5 mm Double bit DD 15	Railway DD 88	8 mm Square DD 28	2X4 mm Slot DD 42
7 mm Triangular DD 37		8 mm Triangular DD 38		

PRODUCT CODE

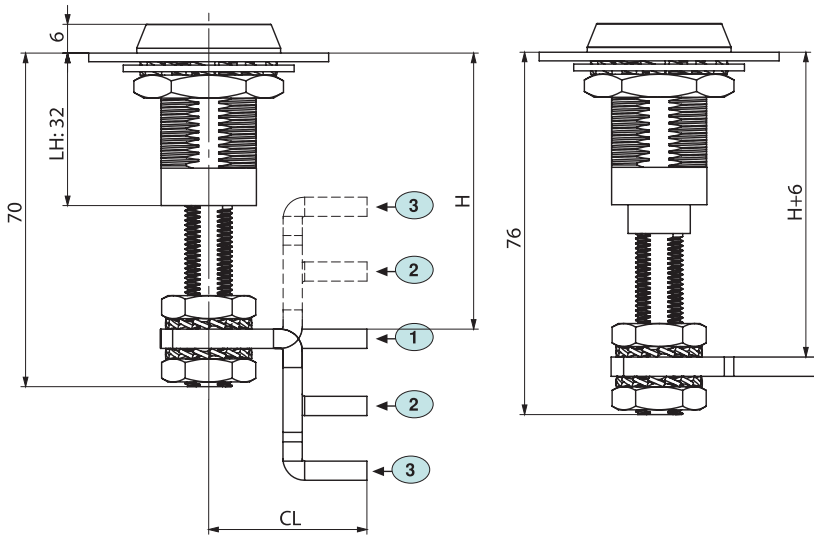


Note: For different drivers please contact Essentra Components

For cams please check page: 174
 For keys please check pages: 189 - 191

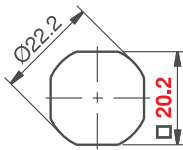
040

COMPRESSION LOCK

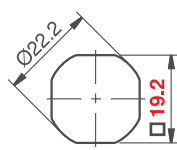


V :5

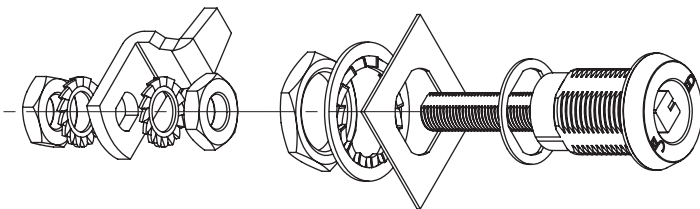
V :6



Standard Cut Out



Special Cut Out



- Used for cabinets that require better sealing under vibrating conditions
- 6 mm of compression
- Wide grip range with adjustable screw
- Noise isolation
- Different drivers/cams available
- Three different cam alternatives available
- The lock has been tested according to the DIN EN 61373 Category 1-B for vibration and shock.
- Working Temperature Range: -50/+80 C
- M22 Nut : should be fixed with 60 Nm
- M10 Nut: should be fixed with 10 Nm
- Threadlocker is applied to the nut threads to get extra fastness against vibration and shock
- Max load capacity: 562 N

MATERIAL

HOUSING: Stainless Steel (AISI 316)
 DRIVER: Stainless Steel (AISI 316)
 CAM: Stainless Steel (AISI 304)
 NUT: Stainless Steel (AISI 304)

⚠ Note: For different drivers please contact Essentra Components

CAM	CC	CH	CL	POSITION	H: GRIP	
					MIN	MAX
1	01	0	33	Flat	41	58
2	02	14	33	Up	27	44
				Down	55	72
3	03	27,5	33	Up	13,5	30,5
				Down	68	85

PRODUCT CODE

