

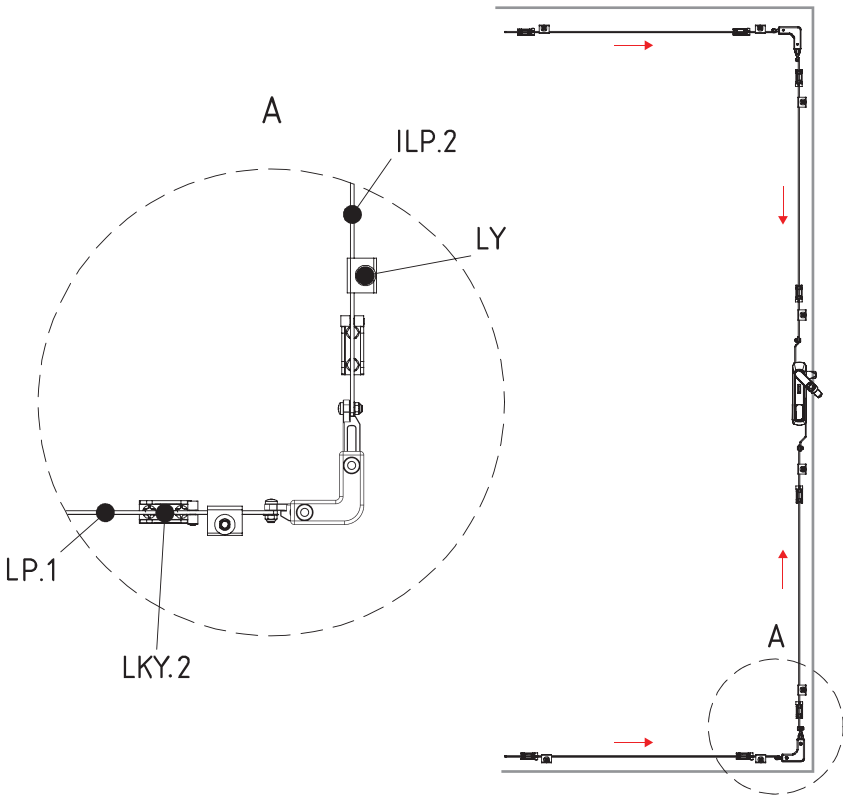
RCC

ROD CORNER CONTROL



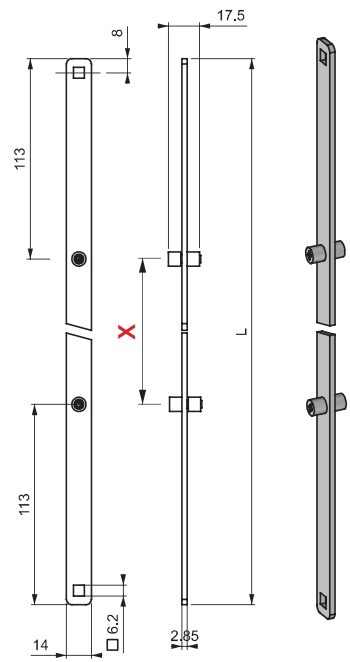
- Used to convert the vertical movement of the flat rods to horizontal movement
- 8 point locking is possible for security reasons

MATERIAL
 BODY: Polyamide PA6 GFR 30
 RODS: Zamak DIN-EN 1774-ZnAl4Cu1



ILP

MULTIPOINT LOCKING FLAT ROD



Group Code	Version	Length Between Pins
ILP	2	X

Please specify for different 'X' length

MATERIAL
 Steel
FINISH
 Zinc Plated