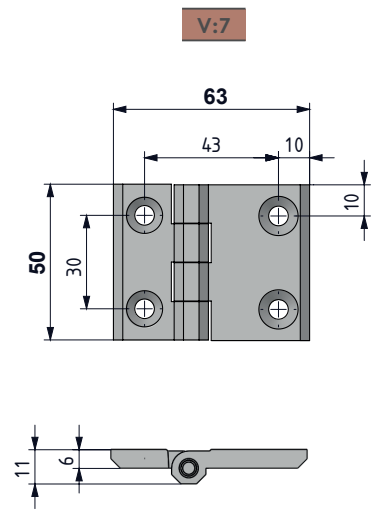
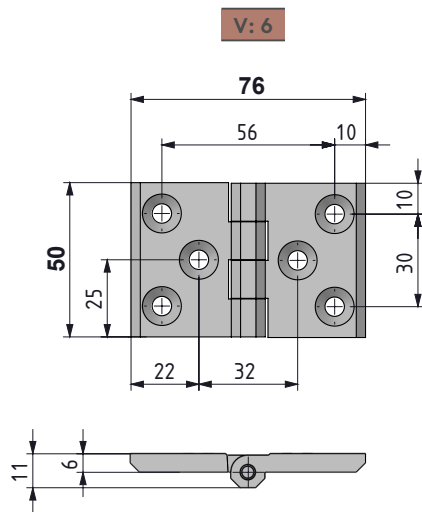
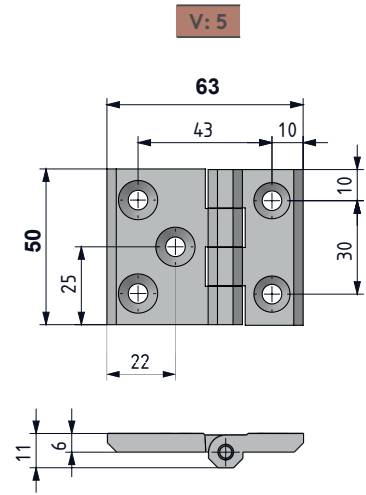
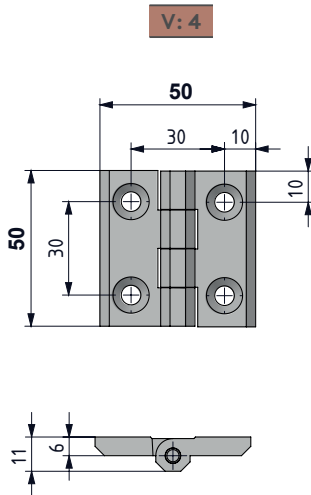
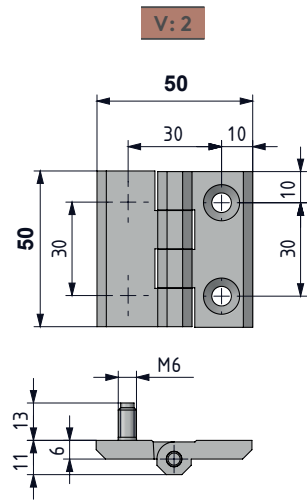
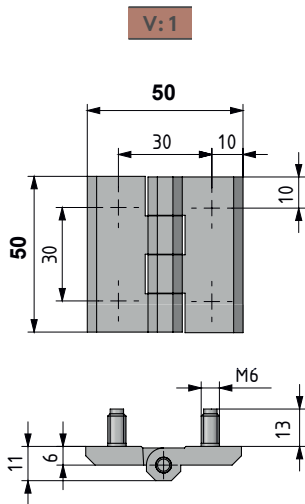
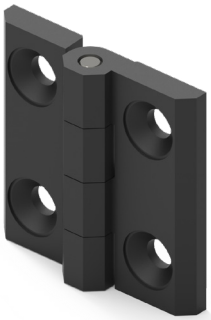


FLAT HINGES

LEAF HINGE

099



- Stainless steel version page 500,502
- Generally used for plain/flush-mounted doors
- Stud versions fitted with M6 x 12 mm threaded stud
- Stainless steel (AISI 304) hinge pin.
- Maximum hinge rotation 270°
- Available in three sizes, hole or stud fixing:
 - 50 mm x 50 mm
 - 50 mm x 63 mm
 - 50 mm x 76 mm

MATERIAL
 BODY: Zamak DIN-EN 1774-ZnAl4Cu1
 PIN: Stainless Steel

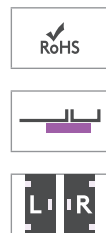
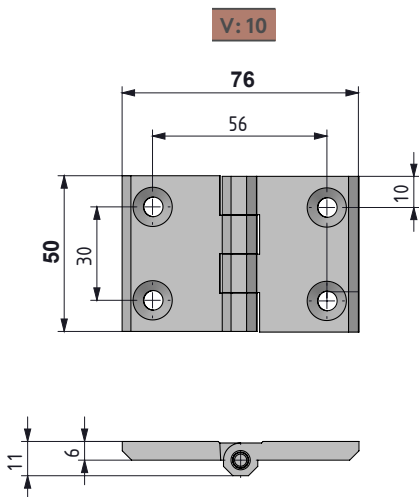
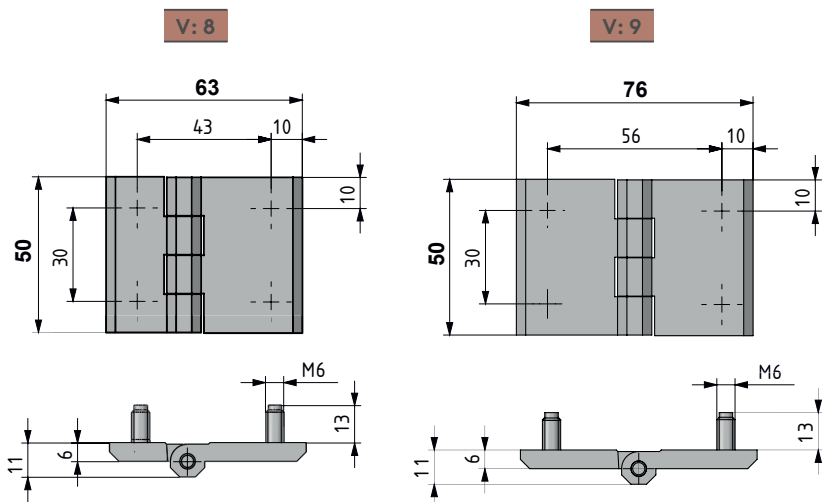
Hinge Rotation Angle





099

LEAF HINGE



MATERIAL

BODY: Zamak DIN-EN 1774-ZnAl4Cu1
PIN: Stainless Steel

MATERIAL	M	FINISH	F
Zamak	1	Chrome plated	1
		Black coated	2

Group Code	Material	Finish	Version
099	1	F	V

Hinge Rotation Angle

