

▶ QUARTER-TURN LOCKS

QUARTER TURN-
PADLOCKABLE

662



- Standard cams without stopper required for these locks
- Maximum shackle diameter 8 mm

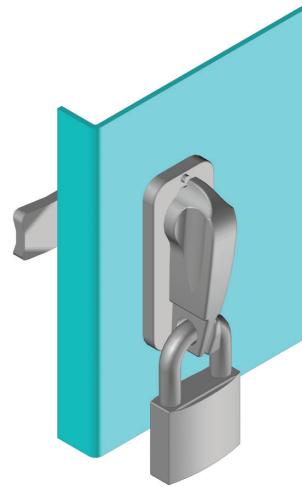
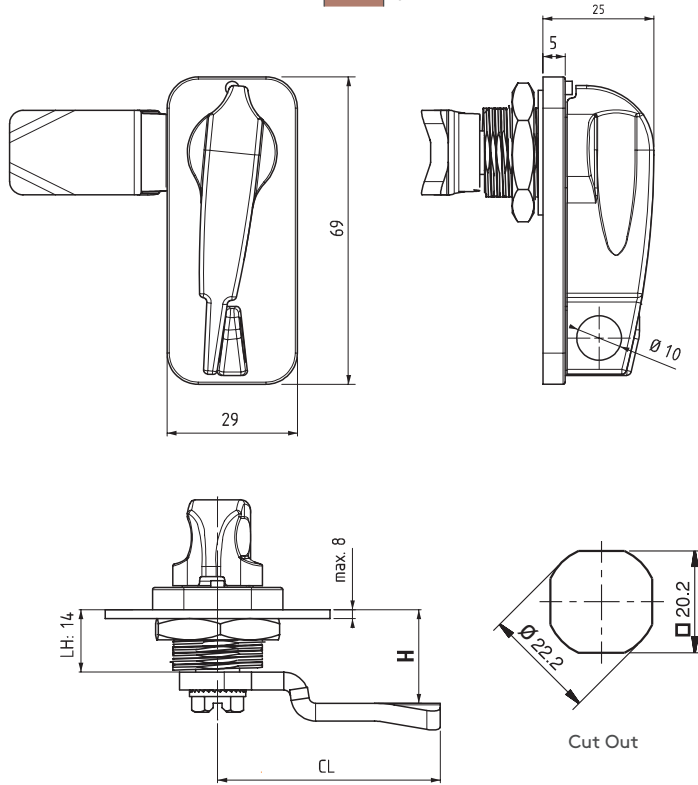
MATERIAL

HOUSING: Zamak DIN-EN 1774-ZnAl4Cu1
 KNOB: Zamak DIN-EN 1774-ZnAl4Cu1
 CAM: Steel

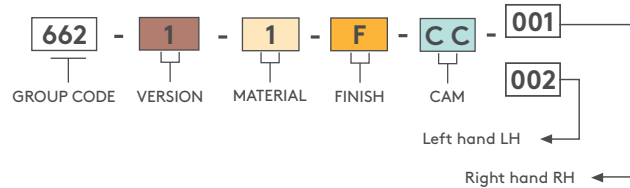
FINISH

Chrome or Black coated

V :1



PRODUCT CODE



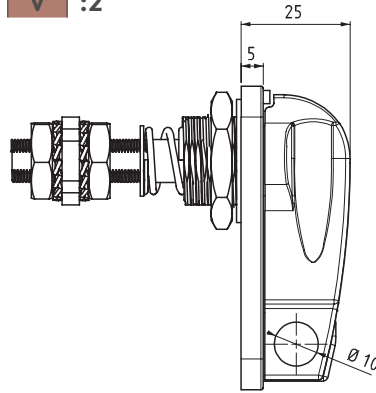
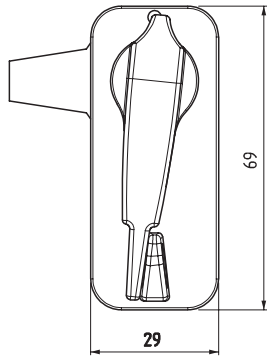
MATERIAL	M	FINISH	F
Zamak	1	Chrome	1
		Black coated	2



For cams please check pages: 172 - 173



V :2



662

QUARTER TURN-PADLOCKABLE



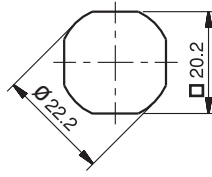
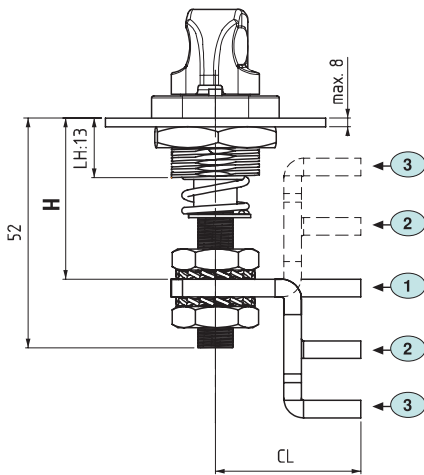
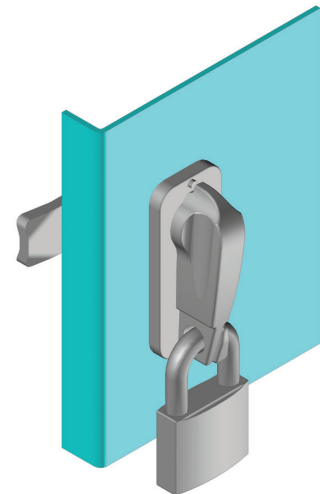
- Adjustable cam
- Three different cam alternatives available
- Maximum shackle diameter 8 mm
- Suitable for left-hand and right-hand applications

MATERIAL

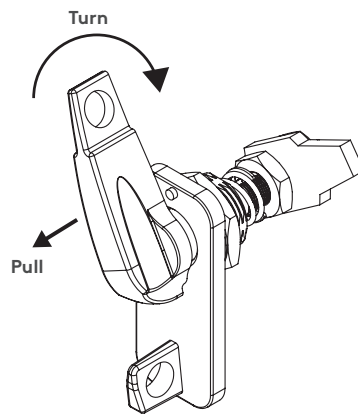
HOUSING: Zamak DIN-EN 1774-ZnAl4Cu1
 KNOB: Zamak DIN-EN 1774-ZnAl4Cu1
 CAM: Steel

FINISH

Chrome or Black coated



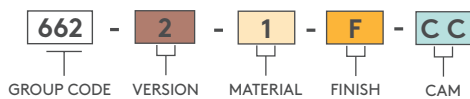
Cut Out



Left hand & Right hand
Pull and turn the knob

CAM	CC	CH	CL	POSITION	H: GRIP	
					MIN	MAX
1	01	0	33	Flat	30	41,5
2	02	14	33	Up	16	27,5
				Down	44	55,5
3	03	27,5	33	Up	2,5	14
				Down	57,5	69

PRODUCT CODE



MATERIAL	M	FINISH	F
Zamak	1	Chrome	1
		Black coated	2