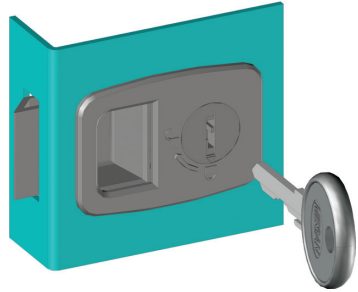
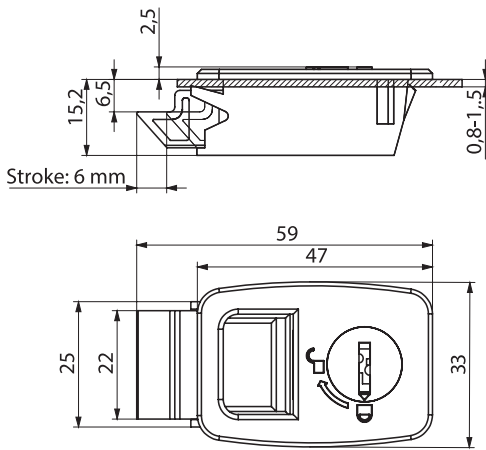


MISCELLANEOUS PRODUCTS

SLIDING LOCK

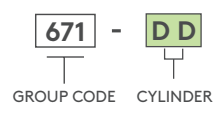
671



- Cylinder Locking System
- Eliminates the risk of scratch on paint thanks to the 2 part design.
- Suitable for small size doors
- Easy assembly by clips
- Suitable for panel thicknesses of 0.8 - 1.5 mm

MATERIAL
 BODY: ABS
 SPRING: Stainless steel
 CYLINDER: PA6 GFR 30

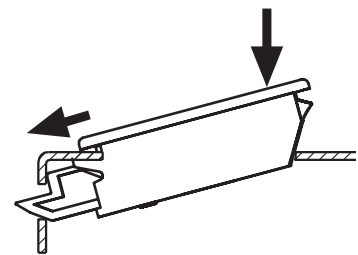
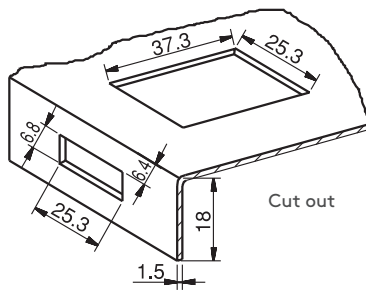
PRODUCT CODE



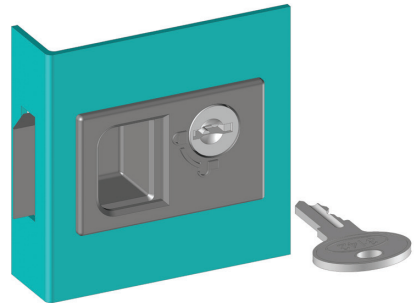
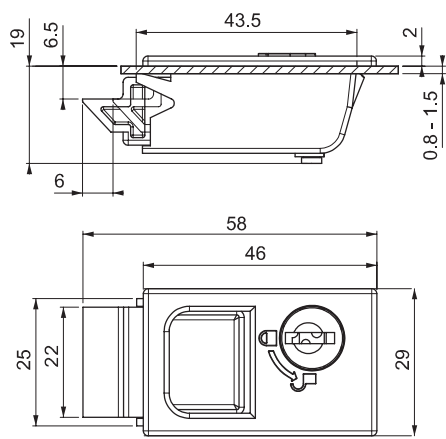
CYLINDER		DD
	Keyed alike	01
	Euro Key (5333)	05

SLIDING LOCK

571



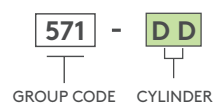
Follow the arrows for assembly instructions; lock & unlock with moving parts



- Cylinder Locking System
- Eliminates the risk of scratch on paint thanks to the 2 part design.
- Suitable for small size doors
- Easy assembly by clips
- Suitable for panel thicknesses of 0.8 - 1.5 mm

MATERIAL
 BODY: ABS
 SPRING: Stainless steel
 CYLINDER: Zamak DIN-EN 1774-ZnAl4Cu1

PRODUCT CODE



CYLINDER		DD
	Stainless steel dust cap (Keyed alike)	03