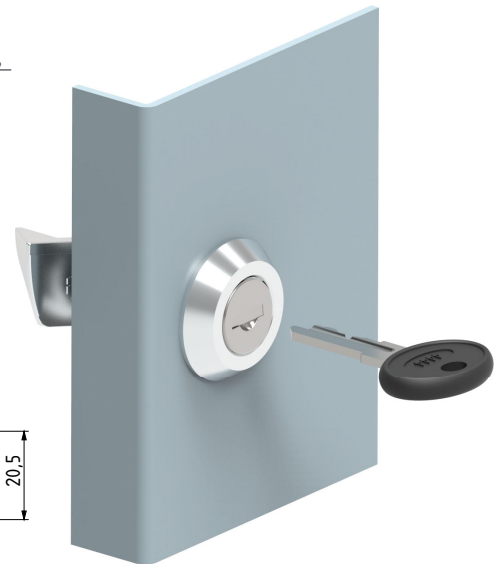
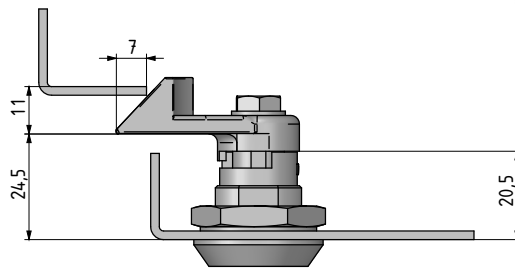
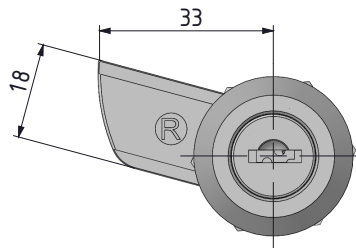
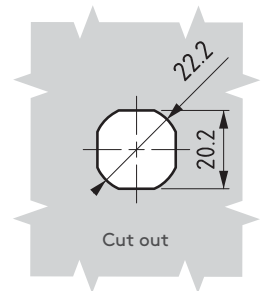
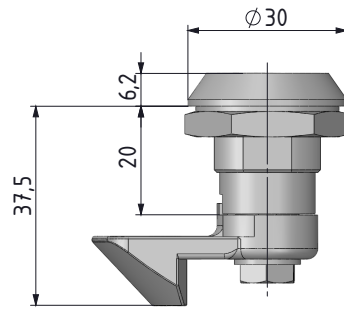


SPRING CAM LOCK

163



- Spring-loaded cam provides depress-to-lock action
- Distance between inside of lock face and front of cam fixed at 24 mm
- There is no IP 65 version of this lock, due to spring loaded cam

APPLICATIONS

Electric panels, machinery covers

MATERIAL

HOUSING: Zamak DIN-EN 1774-ZnAl4Cu1
 CYLINDER: Zamak DIN-EN 1774-ZnAl4Cu11
 CAM: Steel
 GASKET: Rubber

MATERIAL	M	FINISH	F	DOOR DIRECTION
Zamak	1	Chrome plated	1	Right hand 001
		Black coated	2	Left hand 002

	CYLINDER	DD
	Keyed alike (Stainless steel dust cap)	03
	Keyed differ (Stainless steel dust cap)	32
	Master System	04
	Euro key (5333)	05
	CH751 (Stainless steel dust cap)	07

Group Code	Material	Finish	Cylinder	Door Direction
163	1	F	DD	