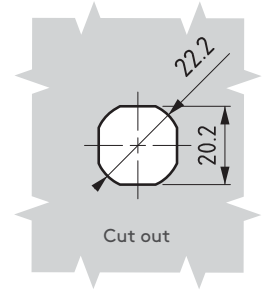
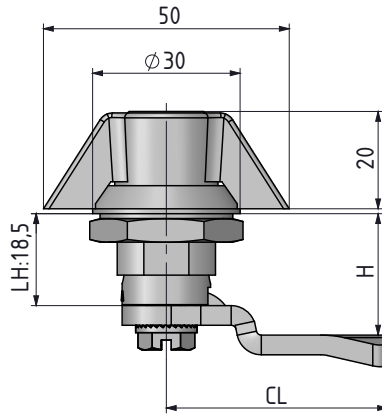


CAM LOCK - WING KNOB

065



- RoHS
- IP 65
-
-



- **Stainless steel version: page 474**
- Quarter-turn operation
- Available in all die-cast zinc alloy or with polyamide wing knob and housing
- Optional blind version

MATERIAL

HOUSING: Zamak DIN-EN 1774-ZnAl4Cu1
 CAM: Steel or Plastic
 GASKET: Rubber

No cylinder '00'



MATERIAL	M	FINISH	F
Zamak	1	Chrome plated	1
		Black coated	2
Plastic	2	No finish	0

CYLINDER		DD
	No cylinder	00
	Keyed alike (Stainless steel dust cap)	03
	Keyed differ (Stainless steel dust cap)	32
	Master System	04
	Euro key (5333)	05
	CH751 (Stainless steel dust cap)	07

Group Code	Material	Finish	Cylinder	Cam
065	M	F	DD	CC

For cams please check pages: 170 - 171