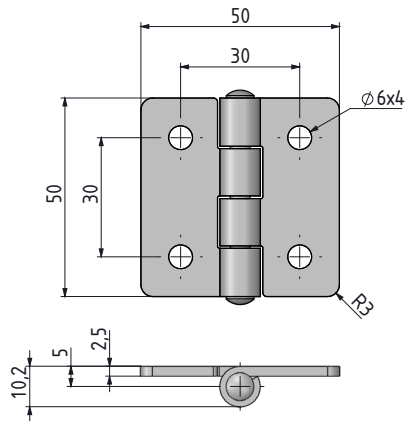
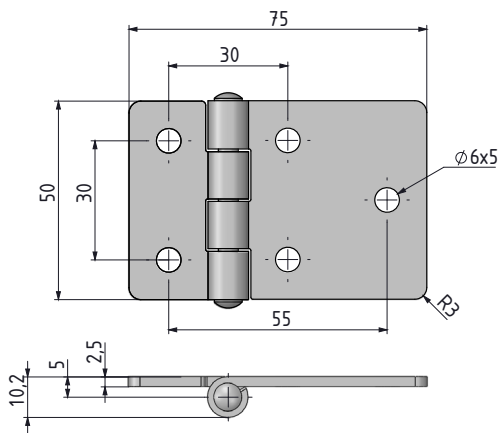




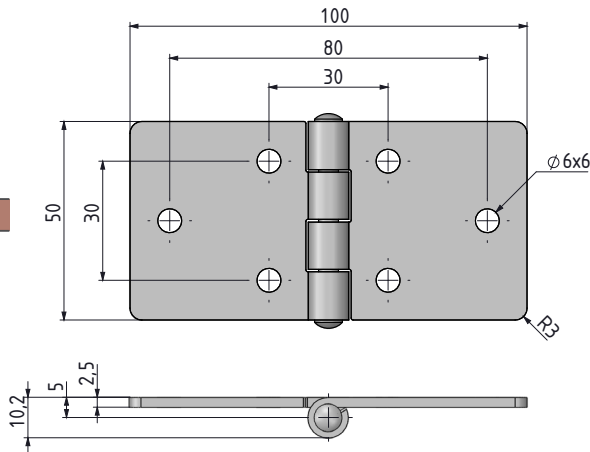
V:1



V:2

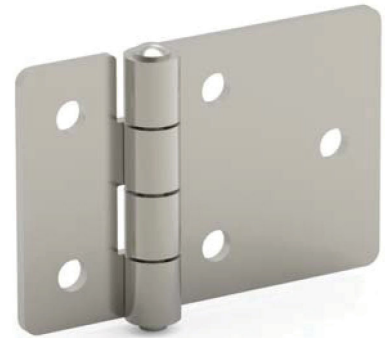


V:3



799

LEAF HINGE



- Generally used for plain/flush-mounted, isolated, heavy doors

MATERIAL

BODY: Stainless Steel (AISI 304)
PIN: Stainless Steel (AISI 303)

Hinge Rotation Angle



Group Code	Material	Finish	Version
799	4	0	V

For other materials please check: page 370