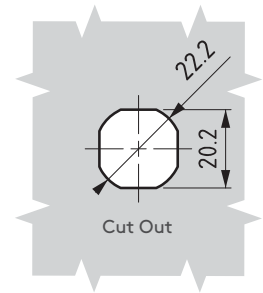
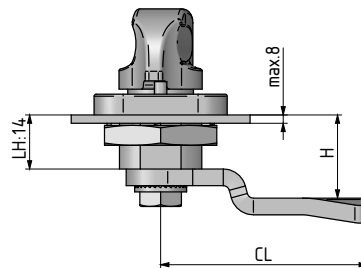
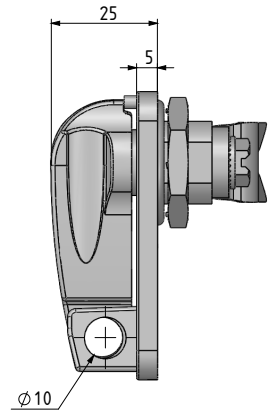
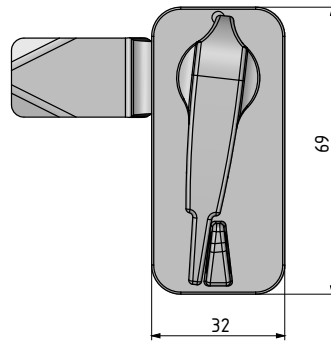


▶ QUARTER-TURN LOCKS

QUARTER TURN-PADLOCKABLE

662

V:1



- Standard cams without stopper required for these locks
- Maximum shackle diameter 8 mm

MATERIAL

HOUSING: Zamak DIN-EN 1774-ZnAl4Cu1
 KNOB: Zamak DIN-EN 1774-ZnAl4Cu1
 CAM: Steel

FINISH

Chrome plated or black coated



MATERIAL	M	FINISH	F	DOOR DIRECTION
Zamak	1	Chrome plated	1	Right hand 001
		Black coated	2	Left hand 002

Group Code	Version	Material	Finish	Cam	Door Direction
662	1	1	F	CC	

For cams please check pages: 170 - 171