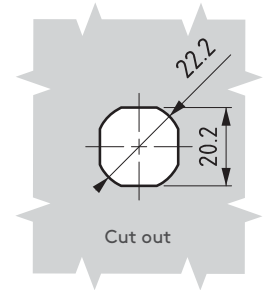
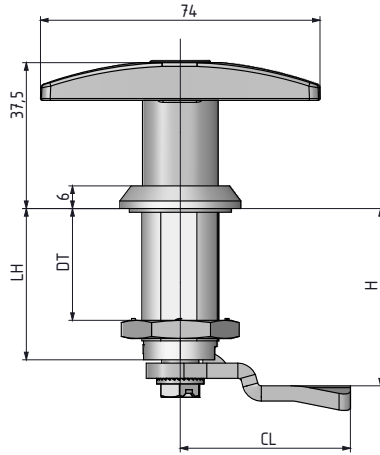


# CAM LOCKS

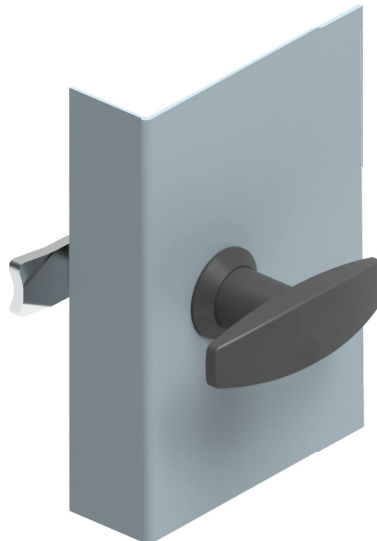
## CAM LOCK - T HANDLE

064




- Quarter-turn operation
- Available in all die-cast zinc alloy or with polyamide wing handle and housing
- Optional blind version

**MATERIAL**  
**HANDLE:** Zamak DIN-EN 1774-ZnAl4Cu1 or PA6  
**HOUSING:** Zamak DIN-EN 1774-ZnAl4Cu1  
**CAM:** Steel or Plastic  
**GASKET:** Rubber



DT	LH
20	30
30	40
40	50
50	60

MATERIAL	M	FINISH	F
Zamak	1	Chrome plated	1
		Black coated	2
Plastic	2	No finish	0

	CYLINDER		DD
	No cylinder		00
	Keyed alike (Stainless steel dust cap)		03
	Keyed differ (Stainless steel dust cap)		32
	Euro key (5333)		05
	CH751 (Stainless steel dust cap)		07

Group Code	Handle	Door Thickness	Material	Finish	Cylinder	Cam
064	110	DT	M	F	DD	CC

For cams please check pages: 170 - 171