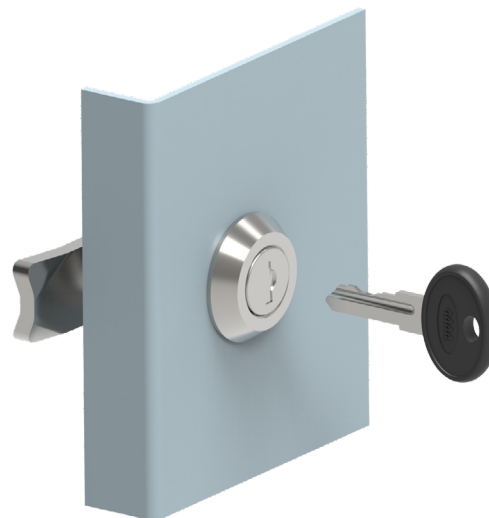
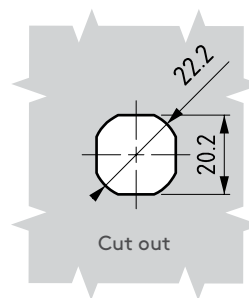
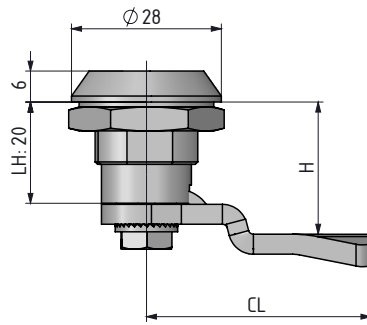


STAINLESS STEEL PRODUCTS

CAM LOCK

063




- Quarter turn operation
- All in stainless steel

MATERIAL

HOUSING: Stainless Steel (AISI 316)
 CAM: Stainless Steel (AISI 304)
 GASKET: Rubber

For other materials please check:
 page 249

CYLINDER	SPECIFICATIONS	
	Keyed alike	03
	Keyed differ	32
	Euro key (5333)	05
	CH751 (Stainless steel dust cap)	07

Group Code	Material	Finish	Cylinder	Cam
063	4	0	DD	CC

 For cams please check page: 174