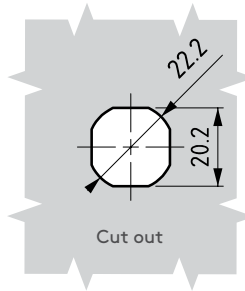
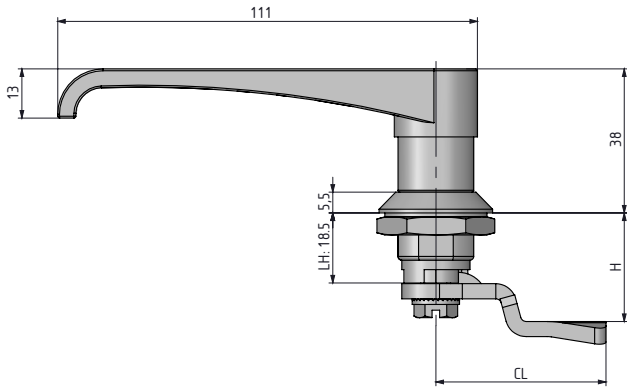




111

CAM LOCK - L HANDLE



- Stainless steel version: page 473
- Quarter-turn operation
- Available in all die-cast zinc alloy or with polyamide wing handle and housing
- Optional blind version

**MATERIAL**

**HANDLE:** Zamak DIN-EN 1774-ZnAl4Cu1 or PA6  
**HOUSING:** Zamak DIN-EN 1774-ZnAl4Cu1  
**CAM:** Steel or Plastic  
**GASKET:** Rubber

MATERIAL	M	FINISH	F
Zamak	1	Chrome plated	1
		Black coated	2
Plastic	2	No finish	0

	CYLINDER	DD
	No cylinder	00
	Keyed alike (Stainless steel dust cap)	03
	Keyed differ (Stainless steel dust cap)	32
	Euro key (5333)	05
	CH751 (Stainless steel dust cap)	07

Group Code	Material	Finish	Cylinder	Cam
111	M	F	DD	CC

For cams please check pages: 170 - 171