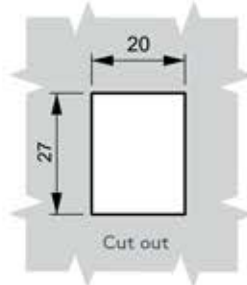
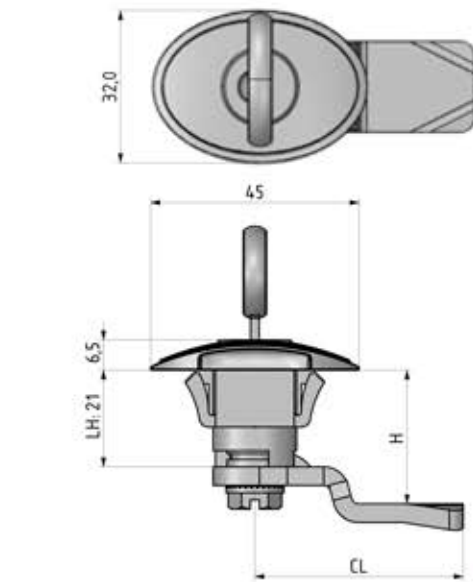


261

KNOB LOCK



DT	
Min	Max
0.8 mm	1.8 mm




- Clip fixing for easy assembly
- Mounting nut not required
- Special 20 mm x 26 mm cut out
- No IP 65 version of this lock
- 1.8 mm maximum panel thickness

**MATERIAL**

HOUSING: Polyamide DIN-EN ISO 1043-1 PA6 GFR 30  
CAM: Steel or plastic

	CYLINDER	
	Keyed alike (Stainless steel dust cap)	DD
	Keyed differ (Stainless steel dust cap)	03
	Master System	32
	Euro key (5333)	04
	CH751 (Stainless steel dust cap)	05
	07	

Group Code	Material	Finish	Cylinder	Cam
261	2	0	DD	CC

 For cams please check pages: 170 - 171