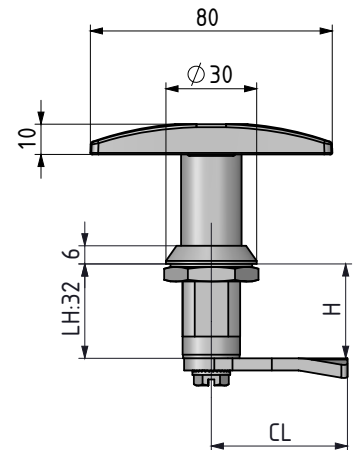
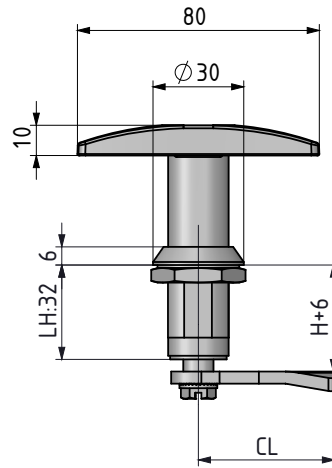


CAM LOCKS

COMPRESSION LOCK - T HANDLE

240



- Used for cabinets require better sealing under vibrating conditions
- Provides 6 mm of compression
- Provides noise isolation
- Standard cams without stopper required for these locks

MATERIAL

HOUSING: Zamak DIN-EN 1774-ZnAl4Cu1

HANDLE: Zamak DIN-EN 1774-ZnAl4Cu1

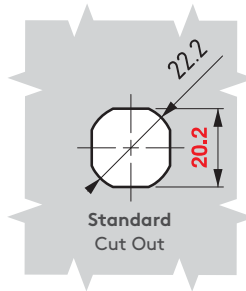
CAM: Steel

GASKET: Rubber

FINISH

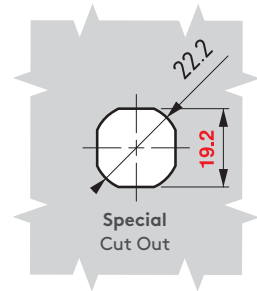
Chrome or black coated

V:1



Standard Cut Out


V:3



Special Cut Out

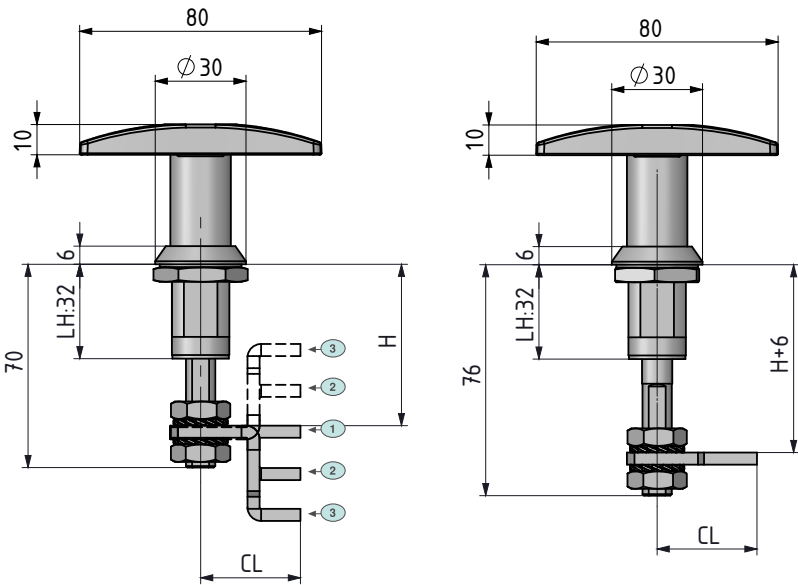


MATERIAL	M	FINISH	F
Zamak	1	Chrome plated	1
		Black coated	2

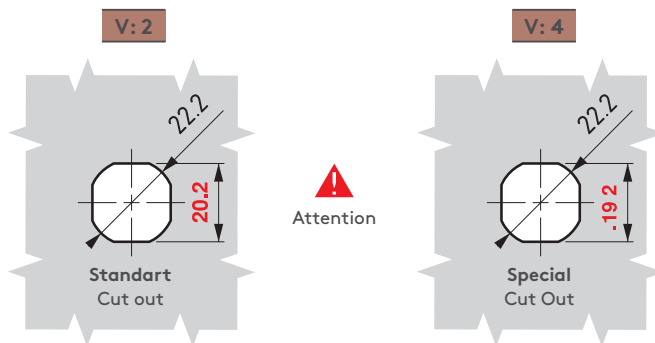
	CYLINDER		DD
	No cylinder		00
	Keyed alike (Stainless steel dust cap)		03
	Keyed differ (Stainless steel dust cap)		32
	CH751 (Stainless steel dust cap)		07

Group Code	Version	Material	Finish	Cylinder	Cam
240	V	1	F	DD	CC

For cams please check page:: 172 - 173



CAM	STOCK CODE	CC	CH	CL	POSITION	H: GRIP MIN	H: GRIP MAX
1	30403565Y	01	0	33	Flat	41	58
2	30403566Y	02	14	33	Up	27	44
					Down	55	72
3	30403567Y	03	27,5	33	Up	13,5	30,5
					Down	68	85



MATERIAL	M	FINISH	F
Zamak	1	Chrome plated	1
		Black coated	2

	CYLINDER	
	No cylinder	DD
	Keyed alike (Stainless steel dust cap)	00
	Keyed differ (Stainless steel dust cap)	03
	CH751 (Stainless steel dust cap)	07

Group Code	Version	Material	Finish	Cylinder	Cam
240	V	1	F	DD	CC

240

COMPRESSION LOCK-T HANDLE

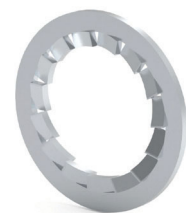
- RoHS
- IP 65
- L | R
-



- For the cabinets that require better sealing under vibrating conditions
- Provides 6 mm of compression
- Wide grip range with adjustable screw
- Provides noise isolation
- Three cam alternatives available

MATERIAL
 HOUSING: Zamak DIN-EN 1774-ZnAl4Cu1
 HANDLE: Zamak DIN-EN 1774-ZnAl4Cu1
 CAM: Steel
 GASKET: Rubber
FINISH
 Chrome or black coated

FIXING DEVICE



- Can be ordered separately
ORDER CODE: 060 A3.